

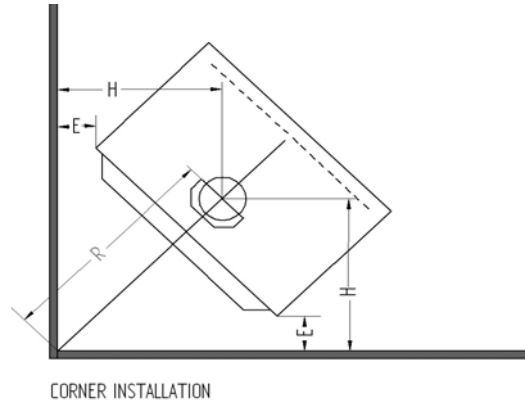
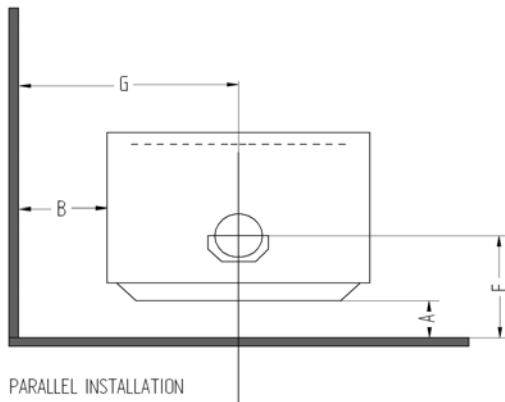
INSTALLATION SPECIFICATION SHEET

These instructions must be used in conjunction with the 'General Installation Instructions' for Masport wood fires.

CLEARANCE REQUIREMENTS

This fire has been tested and complies to the Australian/New Zealand Standard AS/NZS 2918:2001 and all installations must be in accordance with the minimum clearances to combustibles indicated in these instructions. The minimum clearances to combustibles may be reduced if the combustible walls are shielded with an approved non-combustable material. Details of suitable materials and appropriate clearance reduction factors are present in Section 3 of AS/NZS 2918:2001.

POSITIONING YOUR FREE-STANDING WOODFIRE



NEW ZEALAND

MINIMUM DISTANCES TO HEAT SENSITIVE WALLS (mm)

MODEL	FLUE HEAT SHIELD	A	B	E	F	G	H	R§
NOT AVAILABLE								

AUSTRALIA

MINIMUM DISTANCES TO HEAT SENSITIVE WALLS (mm)

MODEL	FLUE HEAT SHIELD	A	B	E	F	G	H	R§
F10000 HW F12000 HW	FLOWMET UNIVERSL FLUE SYSTEM	250	300	200	445	680	607	858
	AIR-GROUP SPECIAL INSULATED FLUE KIT *	200	300	200	395	680	607	858

§ Valid only when the room walls are at 90° to each other.

‡ Note: Clearances are for fire hazard only. For durability of finishes or surfaces you should contact the relevant manufacturer for their specification. Masport accepts no responsibility for the deterioration of surfaces or finishes.

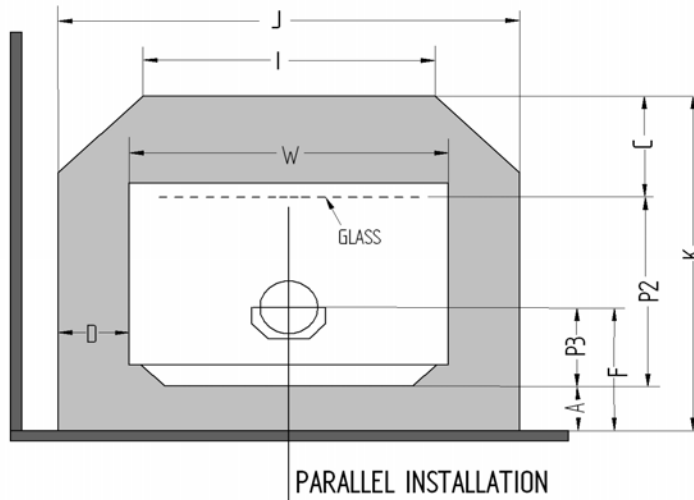
* Air-Group Special Insulated Flue Kit is same as AHD Special Insulated Flue Kit.

PRT. NO. 595772

DATE: 20.01.2012

FLOOR PROTECTOR (Hearth) REQUIREMENTS PARALLEL INSTALLATION

MINIMUM FLOOR PROTECTOR DIMENSIONS IN mm



DIMENSIONS IN THE TABLE ARE VALID ONLY WHEN THE FIRE IS EXACTLEY AT ITS MINIMUM ALLOWABLE WALL CLEARANCE.

NEW ZEALAND

MODEL	Flue Shield	Floor Protector height	A#	C#	D	F	I	J	K#	P2	P3	W	Floor Protector Type Ø
NOT AVAILABLE													

AUSTRALIA - ALL WITH FLUE HEATSHIELD

MODEL	Flue Shield	Floor Protector height	A#	C#	D	F	I	J	K#	P2	P3	W	Floor Protector Type Ø
F10000 HW F12000 HW	FUF		250	300	103	445	665	965	1160	610	195	760	AFP
	AGA		200	300	103	395	665	965	1110	610	195	760	AFP

FUF = FLOWMET UNIVERSAL FLUE SYSTEM

AGA = AIR GROUP / AHD SPECIAL INSULATED FLUE KIT WITH 900mm S/S REFLECTOR SHIELD

AFP = ASH FLOOR PROTECTOR

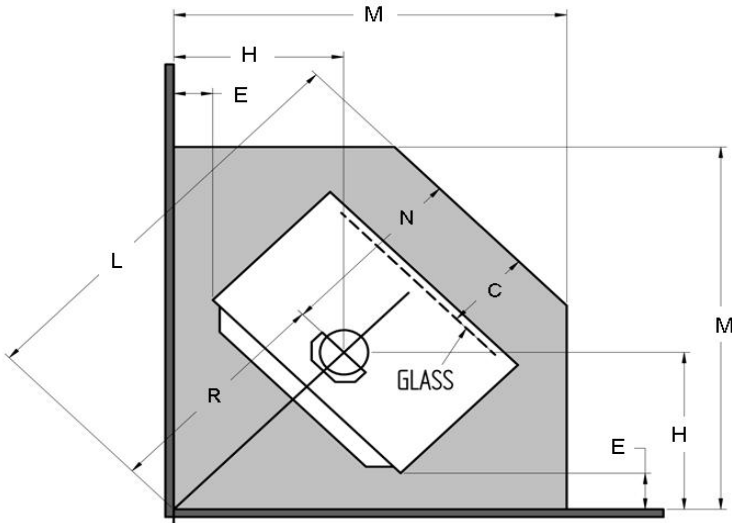
Ø for minimum constructional requirements see general installation instructions.

Valid only when the fire is exactly at its minimum allowable wall clearance.

NOTE: Where a fan is being fitted, you may prefer to increase the 'A' dimension to 100 mm to provide easier access for servicing. If so, the amount you add to 'A' to bring it to 100 mm must also be added to the 'C' and 'S' dimensions.

FLOOR PROTECTORS (Hearth) REQUIREMENTS CORNER INSTALLATION

MINIMUM FLOOR PROTECTOR DIMENSIONS IN mm



DIMENSIONS IN THE TABLE ARE VALID ONLY WHEN THE FIRE IS EXACTLEY AT ITS MINIMUM ALLOWABLE WALL CLEARANCE.

NEW ZEALAND

MODEL	Flue Shield	Floor Protector Distance above Floor	C	E	H#	L#	M#	N	R#	FLOOR PROTECTOR TYPE
NOT AVAILABLE										

AUSTRALIA

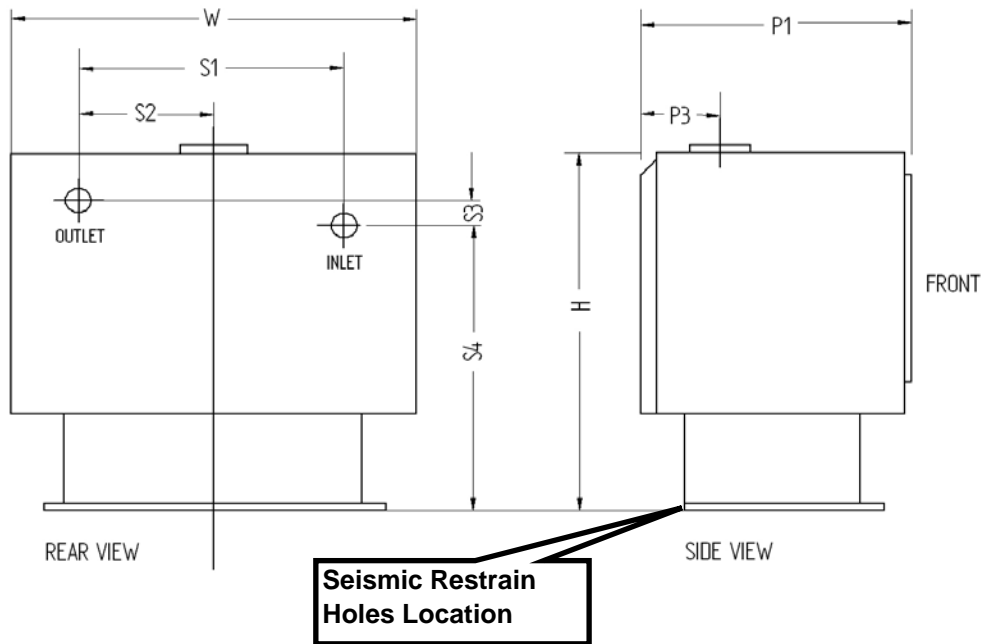
MODEL	Flue Shield	Floor Protector Distance above Floor	C	E	H#	L#	M#	N	R#	FLOOR PROTECTOR TYPE
F10000 HW F12000 HW	FUF		300	200	607	1573	1347	715	858	AFP
	AGA		300	200	607	1573	1347	715	858	AFP

FUF = FLOWMET UNIVERSAL FLUE SYSTEM

AGA = AIR GROUP / AHD SPECIAL INSULATED FLUE KIT WITH 900mm S/S REFLECTOR SHIELD

AFP = ASH FLOOR PROTECTOR

FREE STANDING FIRE DIMENSIONS

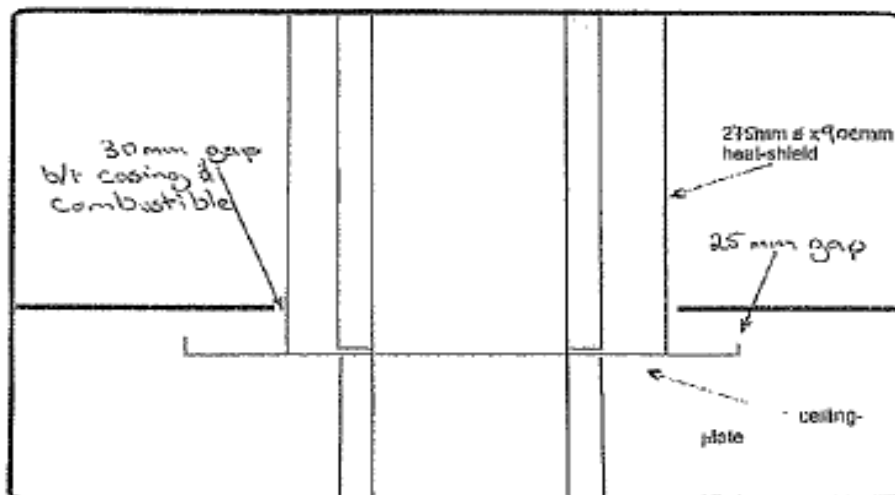
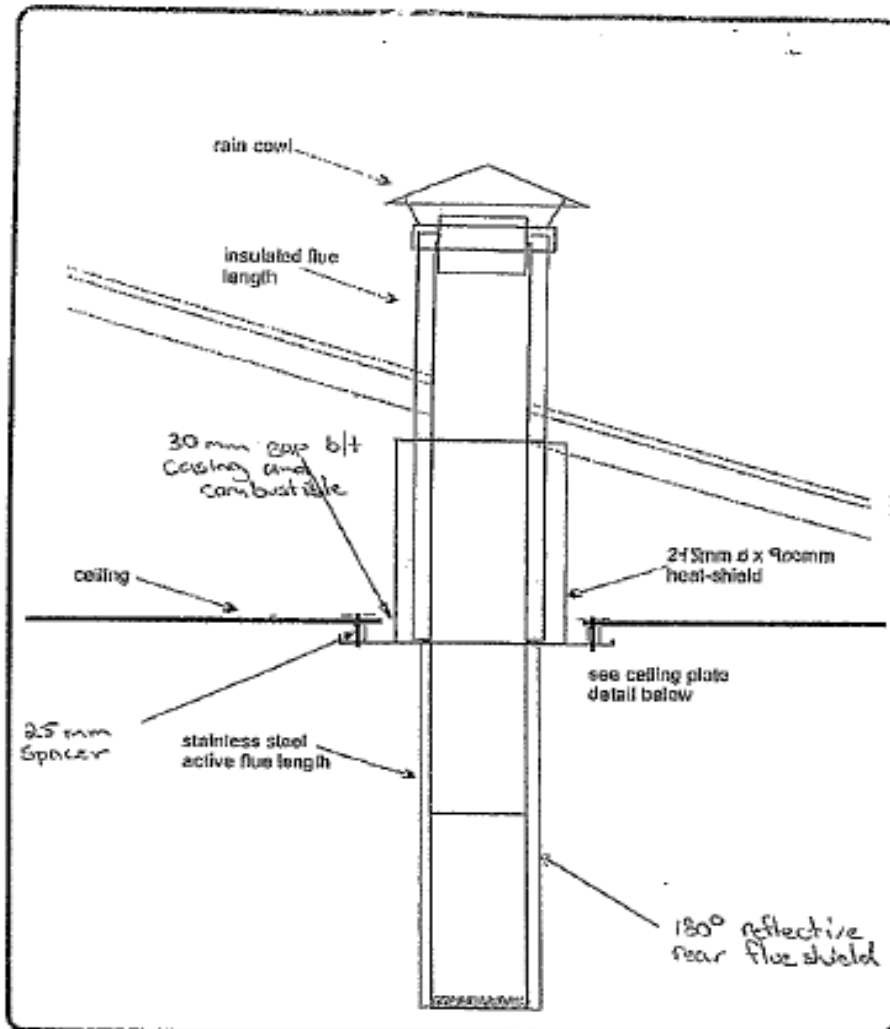


MODEL		P1	P3	H	W	S1	S2	S3	S4
F10000HW		620	195	800	760	340	170	20	605
F12000HW		620	195	800	760	340	170	20	605

Seismic Restrain - In New Zealand and some part of Australia, it is required that the wood fire and floor protector are secured to prevent shifting in the event of an earthquake. This is best done by fastening the wood fire right through the protector to the floor, using two screws not less than 12 guage or the equivalent size of coach bolts or dyna bolts or toggle fasteners.

THE "AIR-GROUP SPECIAL INSULATED FLUE KIT" WHICH IS SAME AS "AHD SPECIAL INSULATED FLUE KIT" MUST BE MODIFIED AS PER DIAGRAM BELOW FOR F7000 HW 175MM FLUE KIT INSTALLATIONS IN AUSTRALIA.

MODIFIED "SPECIAL INSULATED FLUE KIT"



FOR AUS INSTALLATION WITH FLOMET UNIVERSAL FLUE SYSTEM, PLEASE REFER TO THE SPECIFIC FLUE INSTALLATION INSTRUCTIONS FROM FLUE MANUFACTURER.